

**GENERAL APPLICATION
FOR BUILDING PERMIT**
Driveways, Sidewalks, Patios, Decks, Porches, Fences

Name of Owner _____

Address of Owner _____

Street No. _____ Street Name _____

Permit No. _____

CIRCLE ONE

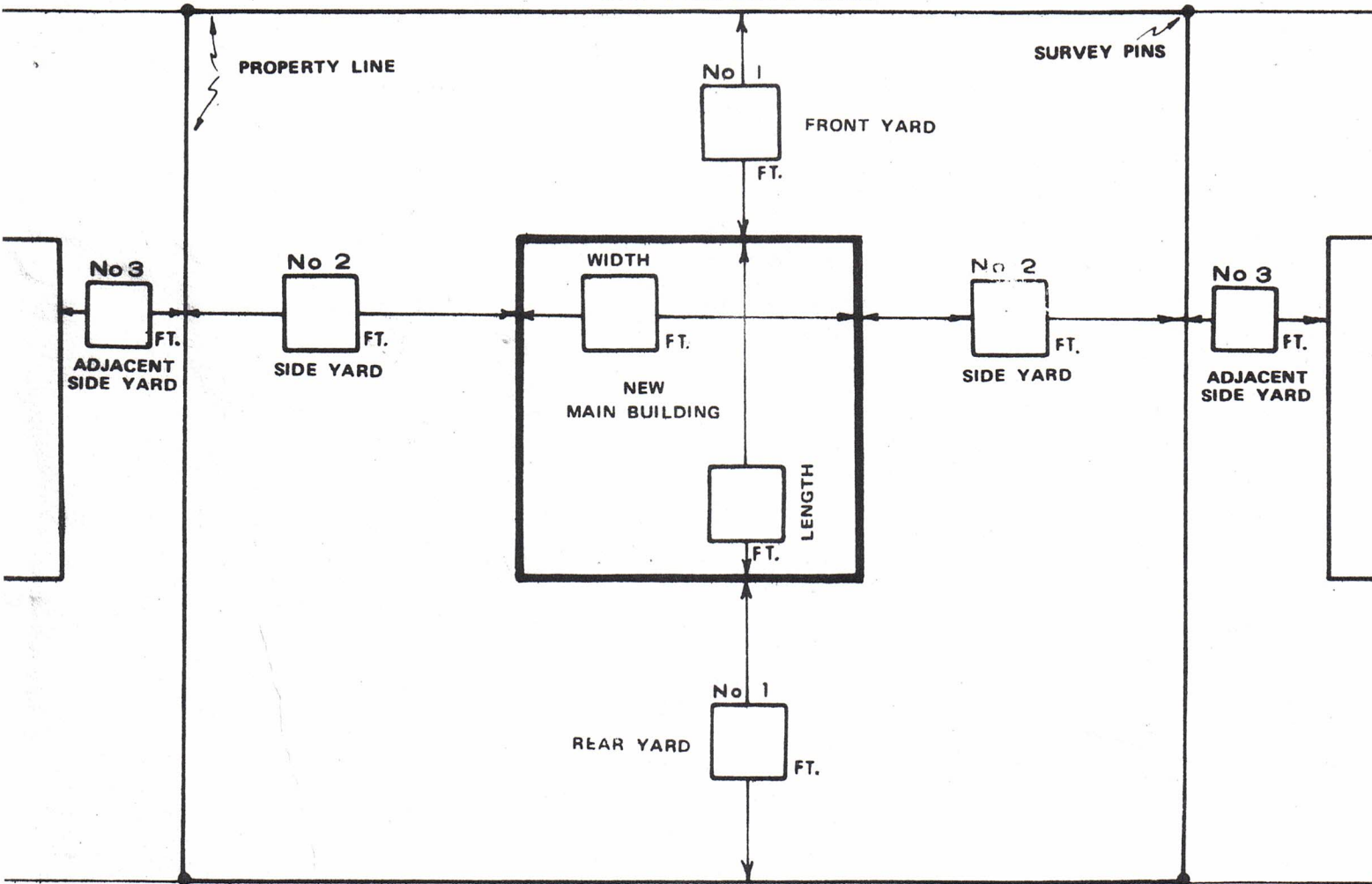
EAST
WEST
NORTH
SOUTH



Front of Lot

NOTE: FILL IN THE BLOCKS. WE ARE INTERESTED ONLY IN THE CLOSEST DIMENSION FROM THE PROPERTY LINES TO THE EXTERIOR OF THE MAIN BUILDING.

FRONT PROPERTY LINE



REAR PROPERTY LINE

Cubic Ft. _____

Permit Fee \$ _____

Cost \$ _____

Zoning _____

Date _____

Signature _____

No. 5 Lot No. _____

Block No. _____

Subd. _____

Length of Lot _____

Width of Lot _____